

MEASURE LENGTH



GET READY



1) Which of the measurements describe length?
2 metres 2 litres 2 kilograms 2 centimetres

2) Match each length to a sensible estimate.

The height of a giraffe  5 cm

The size of a ladybird  5 m

The length of your thumb  5 mm

3) Complete the statements.

1 metre = _____ centimetres

1 centimetre = _____ millimetres

1) Which of the measurements describe length?

2 metres 2 litres 2 kilograms 2 centimetres

2) Match each length to a sensible estimate.

The height of a giraffe  5 cm

The size of a ladybird  5 m

The length of your thumb  5 mm

3) Complete the statements.

1 metre = 100 centimetres

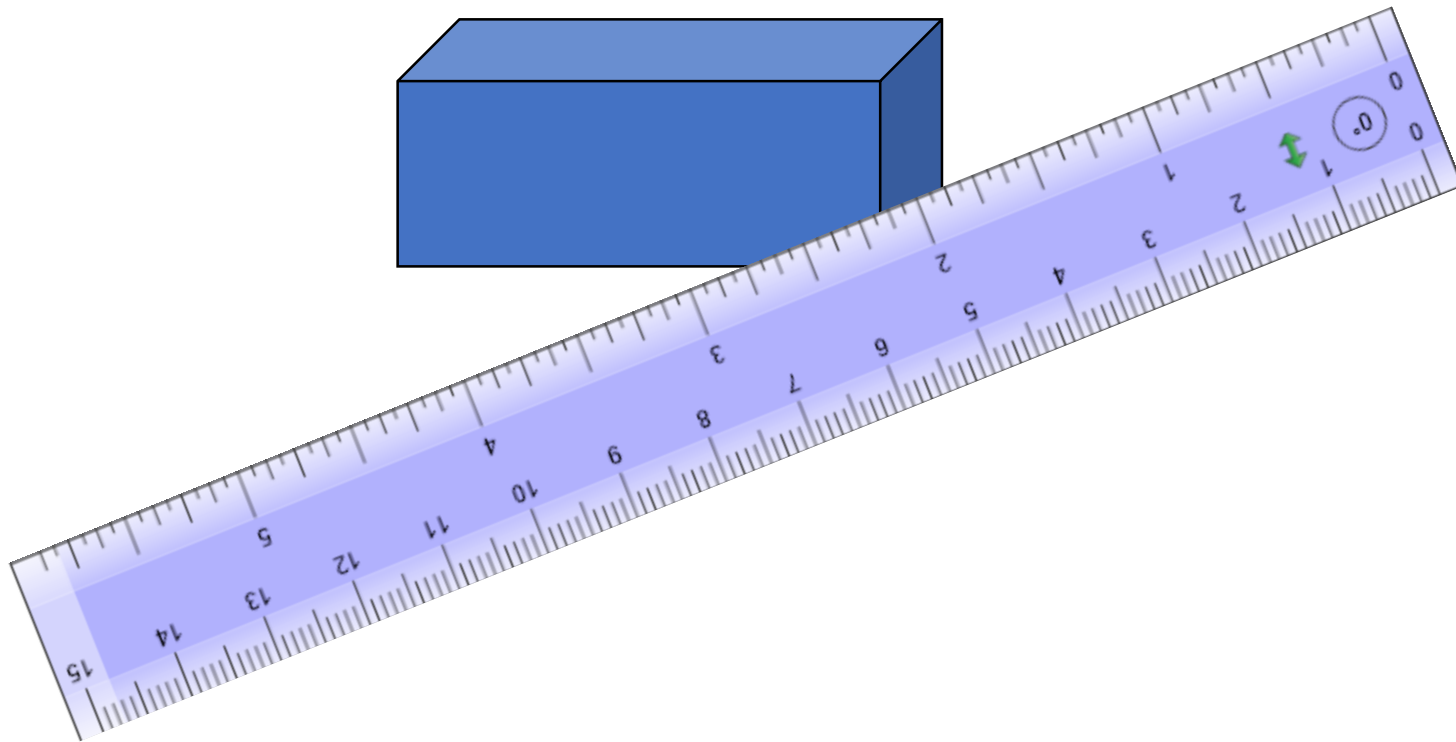
1 centimetre = 10 millimetres

LET'S LEARN



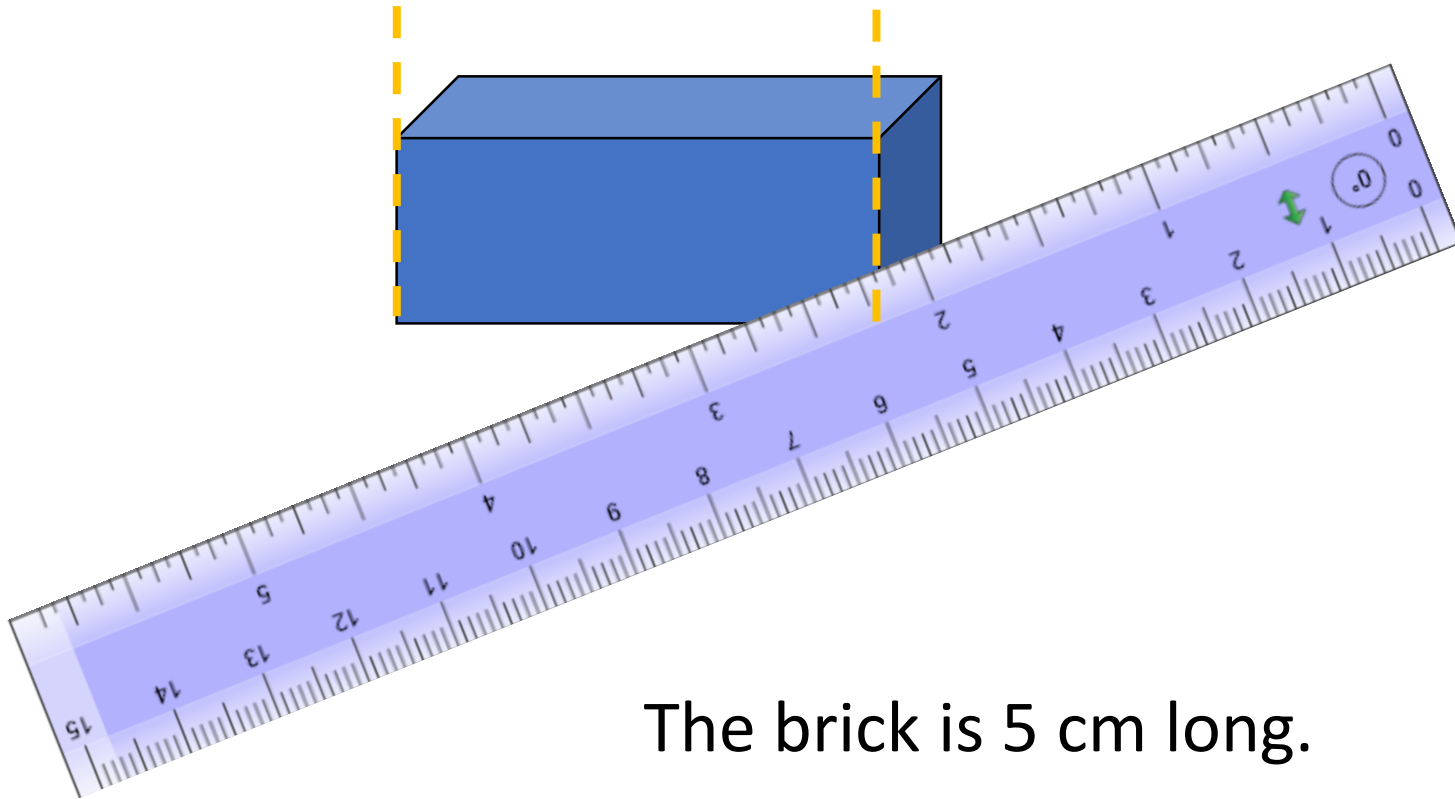


Tommy is trying to measure the brick.
He is struggling.

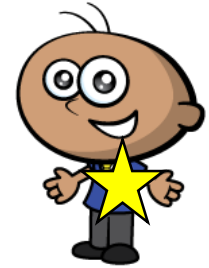


Our Top Tips for Tommy

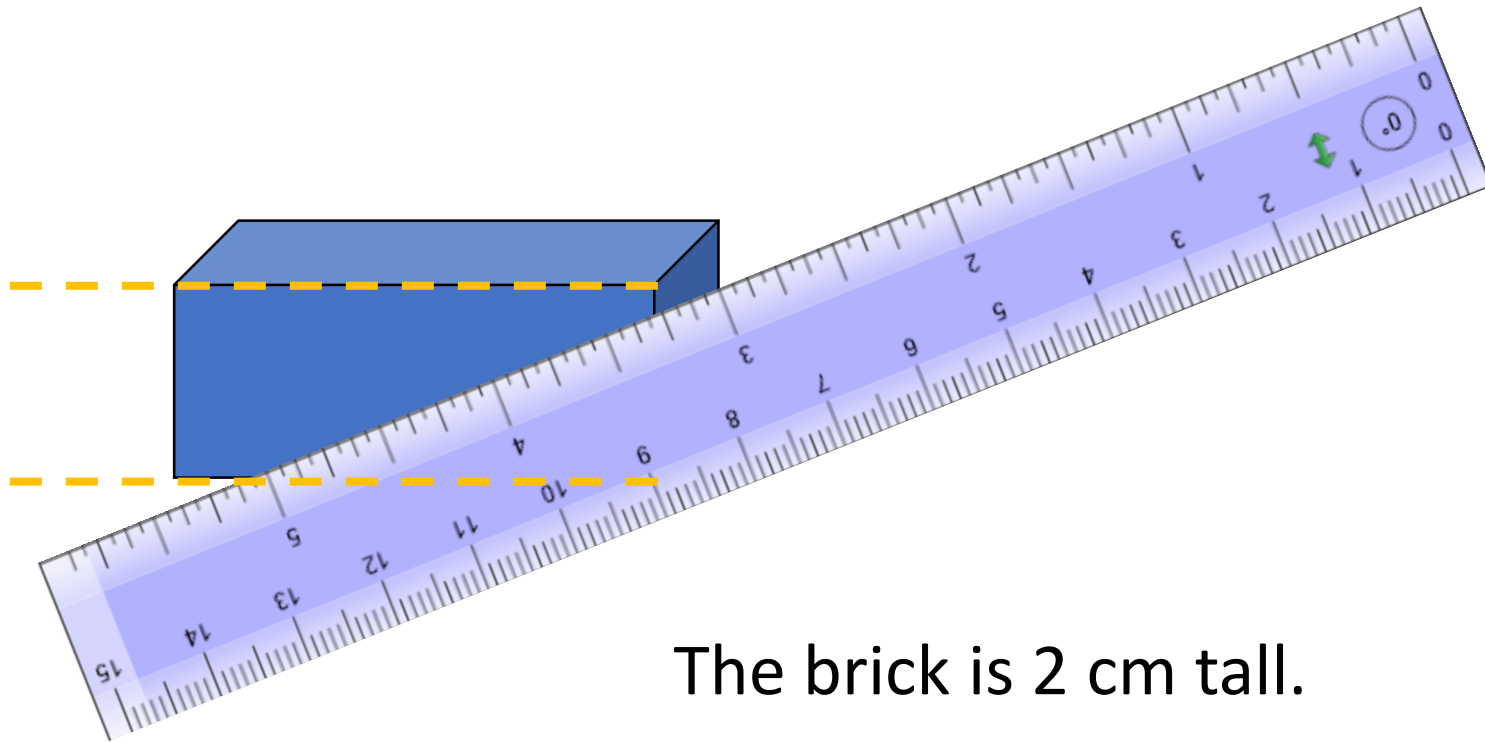
1. Make sure you're using the cm side of the ruler
2. Line up the edge of your item with 0 on the ruler
3. Look to see where the other edge of your item lines up with the ruler.



The brick is 5 cm long.



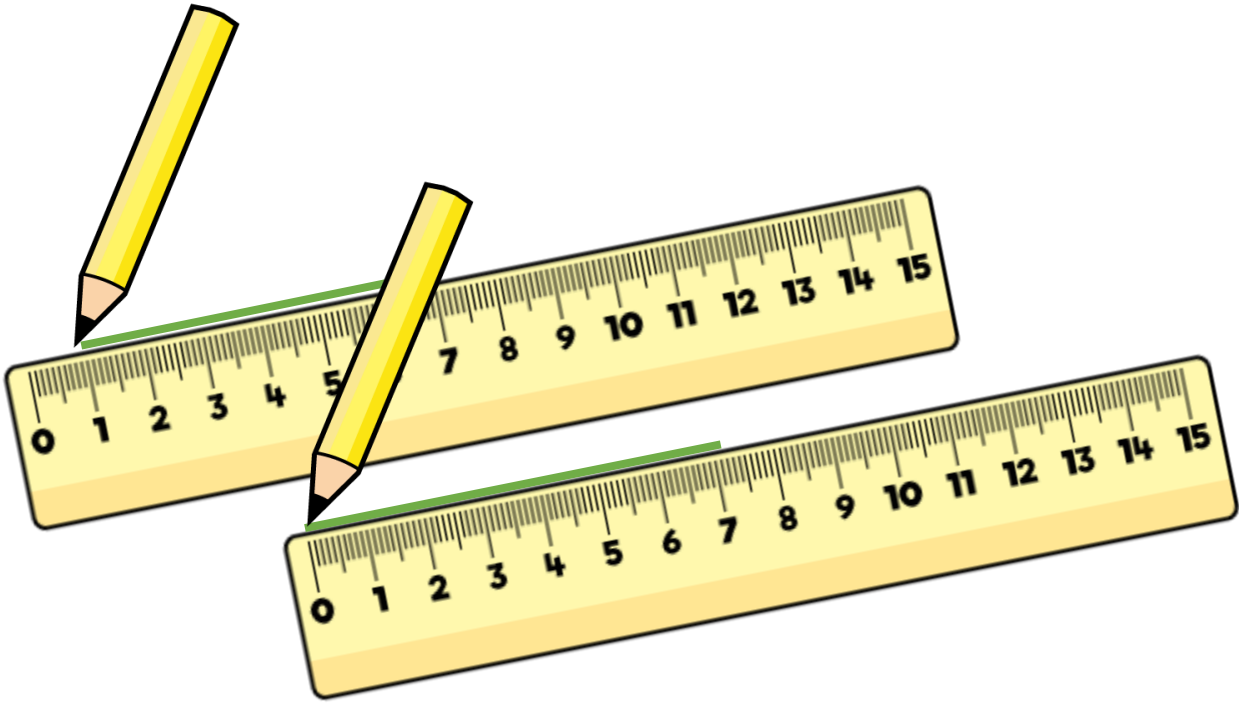
Tommy wants to measure the height of the brick too.



The brick is 2 cm tall.



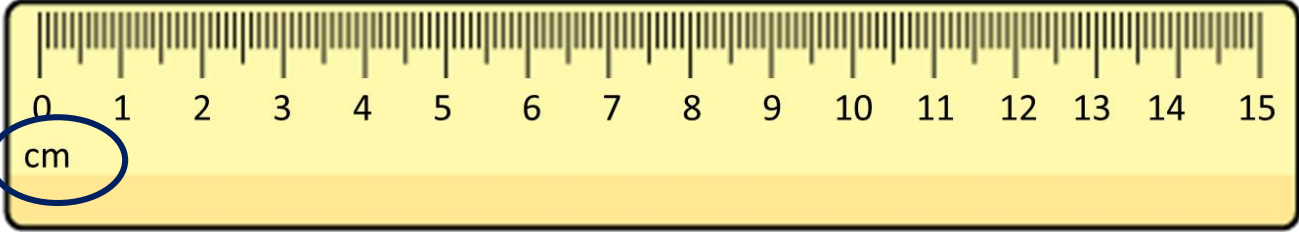
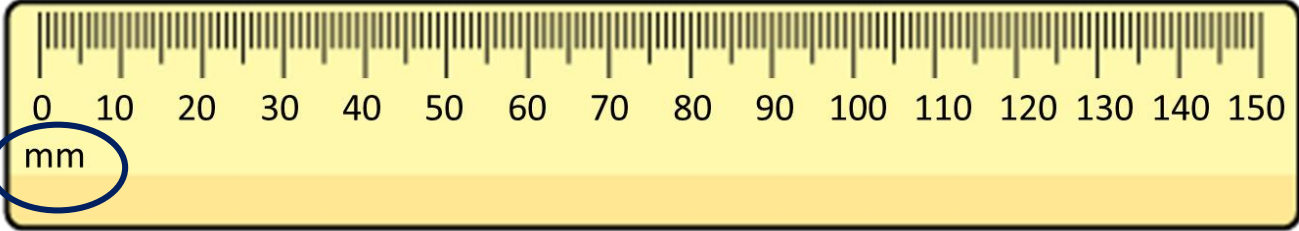
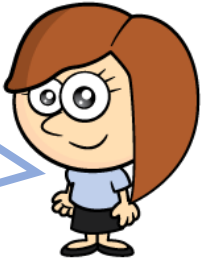
Dora is drawing a line 7 cm long.



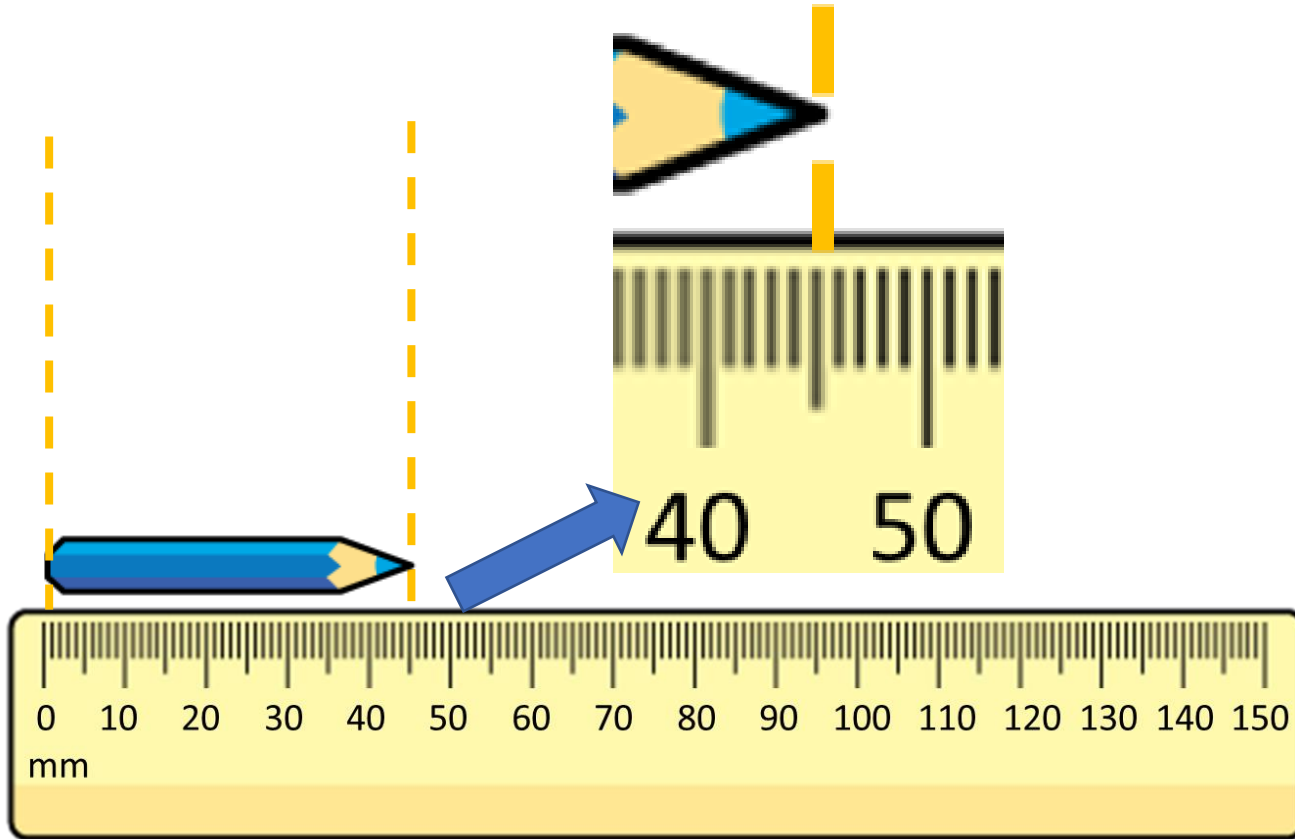
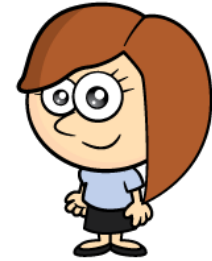
Rosie is measuring the packet of crayons.



The pack of
crayons is 90
cm long.



Rosie is measuring one of the crayons.



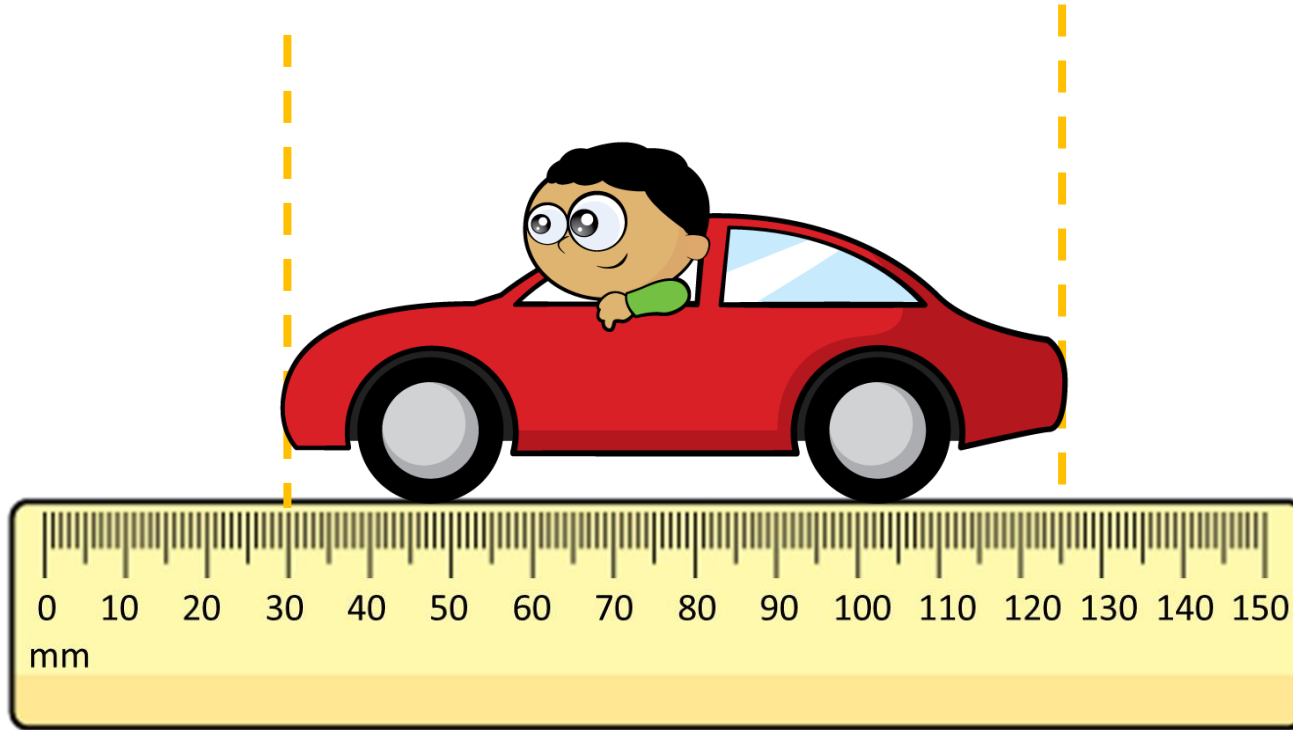
The pencil is 45 mm long.

YOUR TURN

Have a go at questions
1 - 4 on the worksheet



True or false?



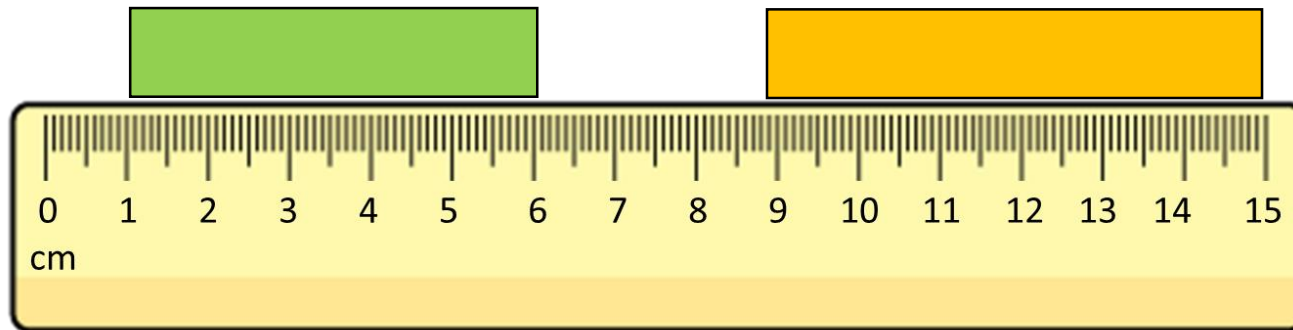
The toy car is 125 mm long.

Have a think



What do you notice?

Have a think



The green bar is 5 cm long.

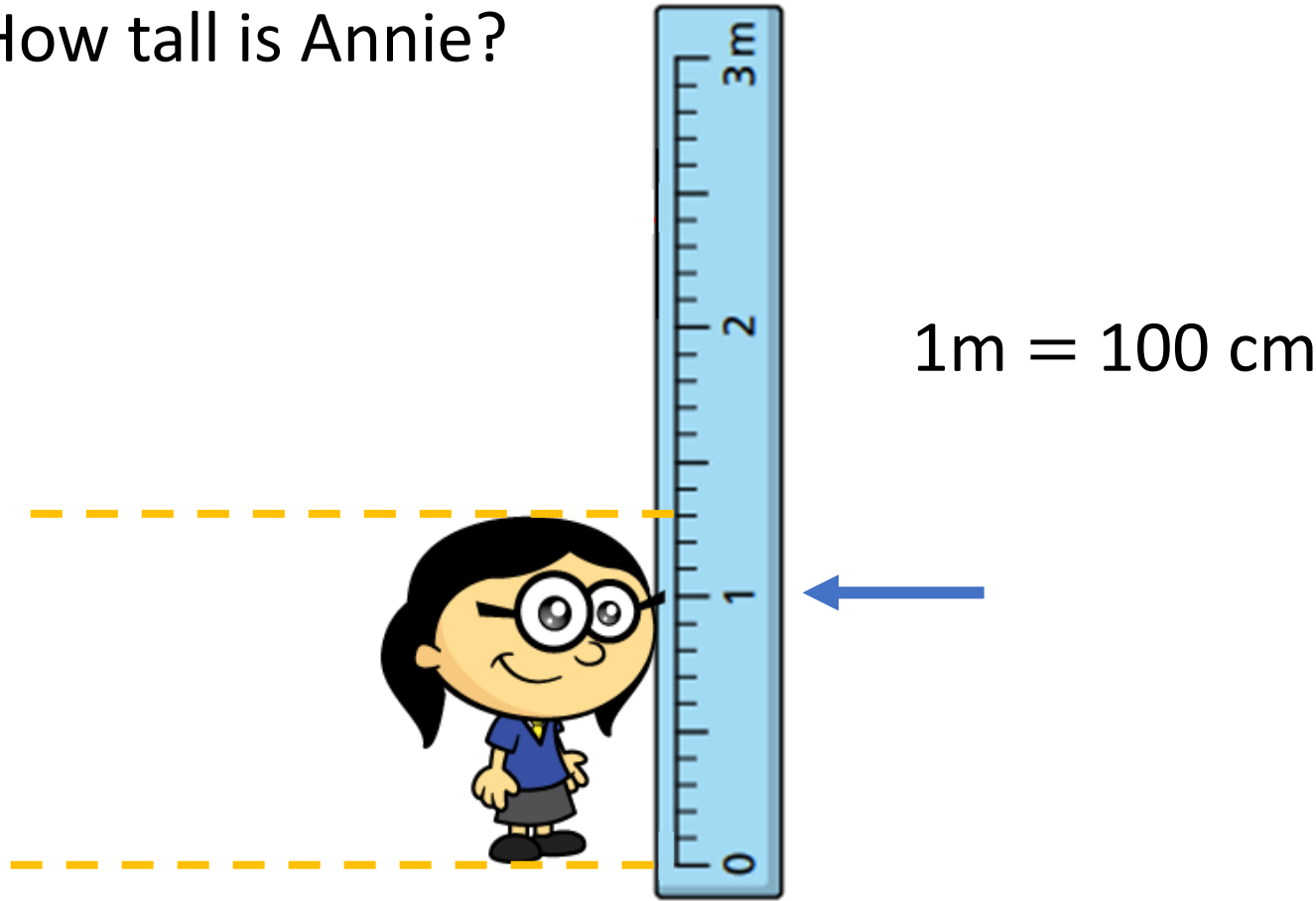
The orange bar is 6 cm long.

The orange bar is 1 cm longer than the green bar.

There is a gap of 3 cm between the bars.

The total length of the bars is 11 cm

How tall is Annie?



Annie is 1 metre and 30 cm tall.

YOUR TURN

Have a go at the rest of
the questions on the
worksheet.

