

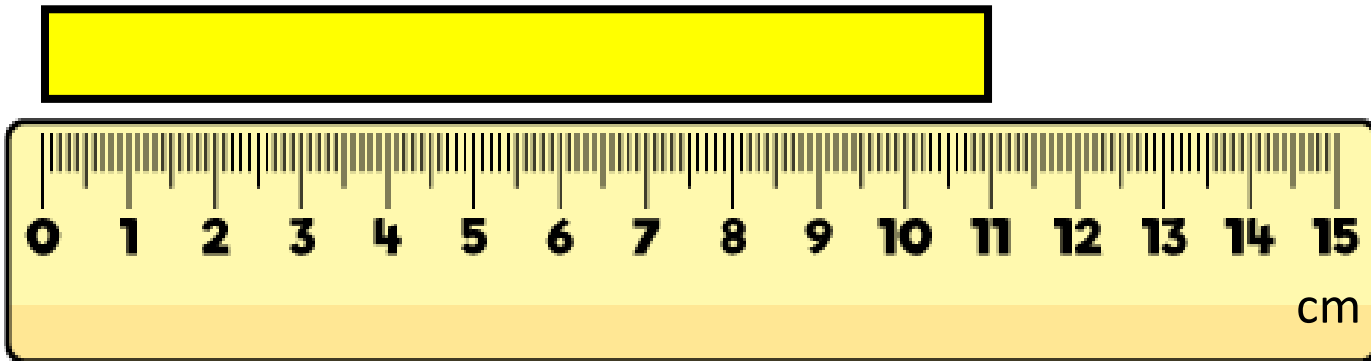
MEASURE PERIMETER



GET READY



1) Measure the length of the rectangle.



2) Calculate $9 + 4 + 9 + 4$

3) Circle the multiples of 4

12

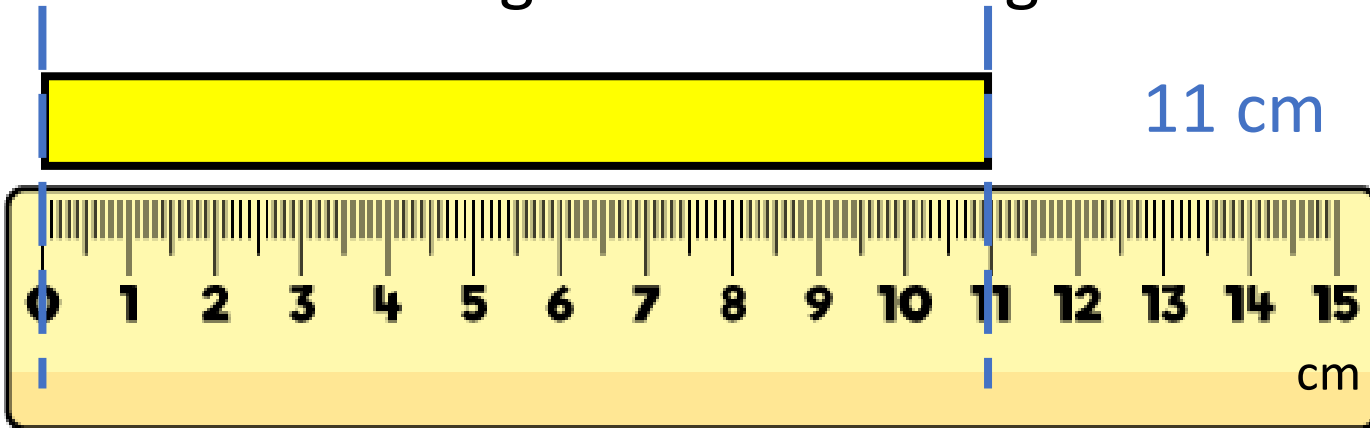
34

8

20

14

1) Measure the length of the rectangle.



2) Calculate $9 + 4 + 9 + 4$

$$9 + 4 = 13$$

$$13 + 13 = 26$$

$$\text{double } 9 = 18$$

$$\text{double } 4 = 8$$

$$18 + 8 = 26$$

3) Circle the multiples of 4

12

34

8

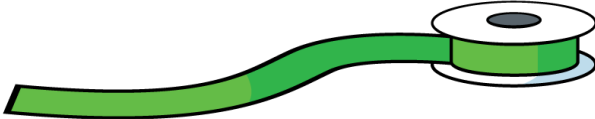
20

14

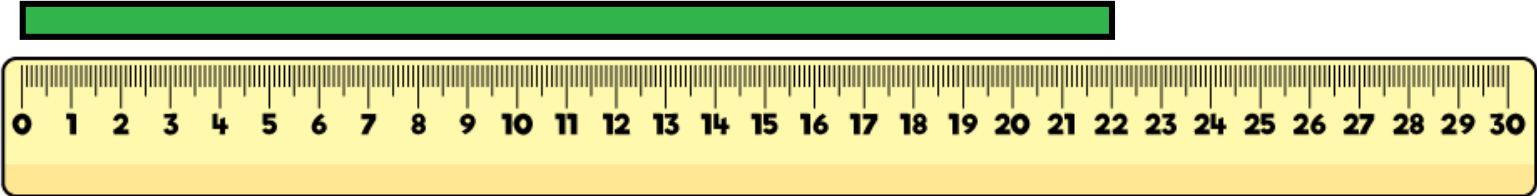
LET'S LEARN



Perimeter is the total length around the edge of a 2-D shape.



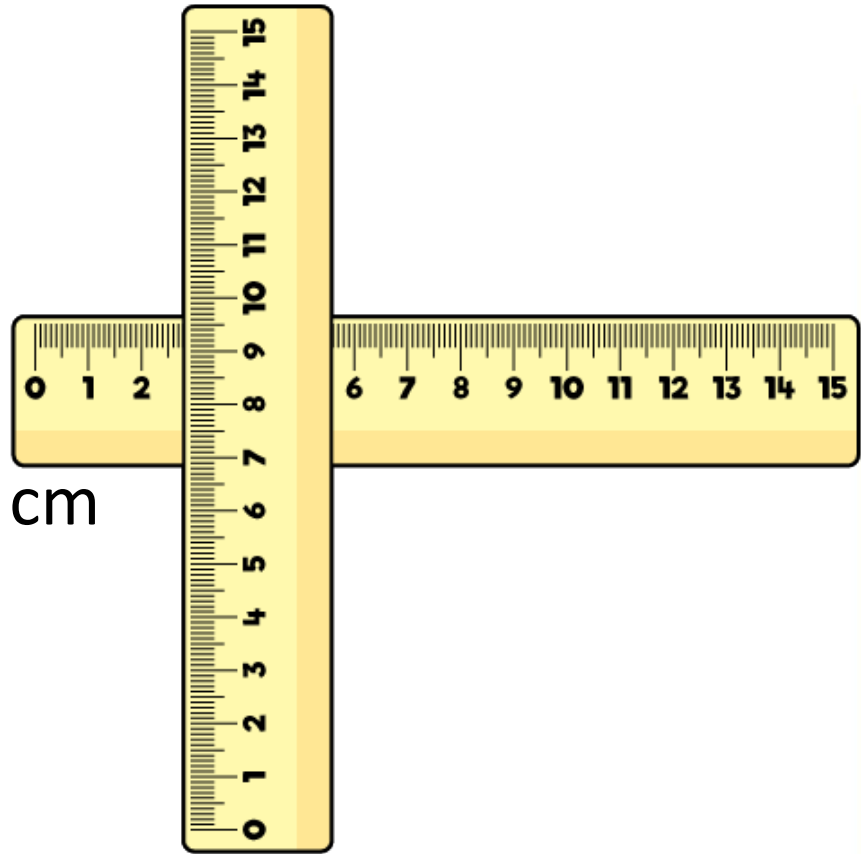
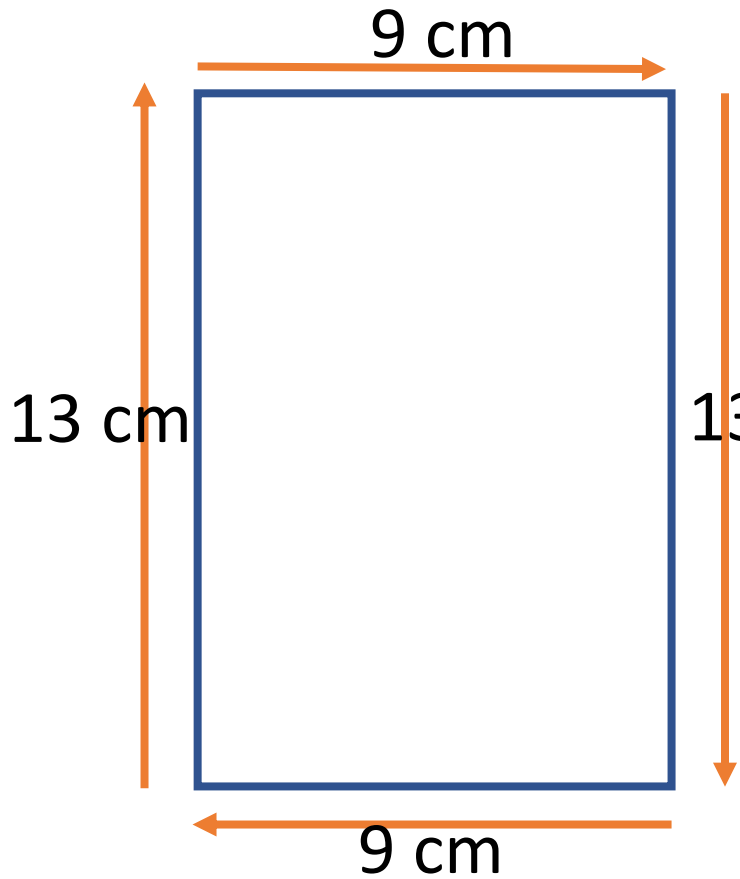
The perimeter of the rectangle is 22 cm.



YOUR TURN

Have a go at questions
1 and 2 on the
worksheet





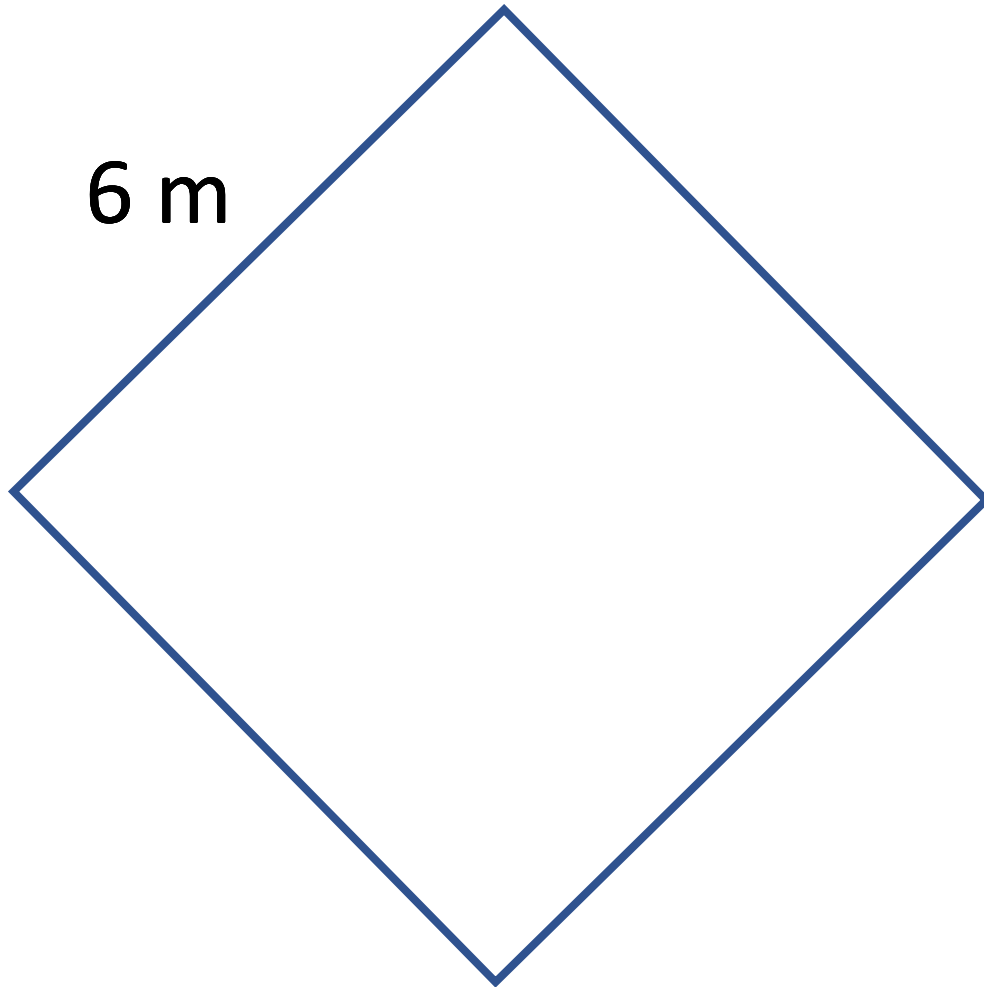
$$\underbrace{9 \text{ cm} + 13 \text{ cm}}_{22 \text{ cm}} + \underbrace{9 \text{ cm} + 13 \text{ cm}}_{22 \text{ cm}} = 44 \text{ cm}$$

YOUR TURN

Have a go at questions
3 and 4 on the
worksheet



Can you work out the perimeter of the square?



$$6 \text{ m} \times 4 = 24 \text{ m}$$


$$6 \text{ m} + 6 \text{ m} + 6 \text{ m} + 6 \text{ m} = 24 \text{ m}$$

□ square with a perimeter of 20 cm.

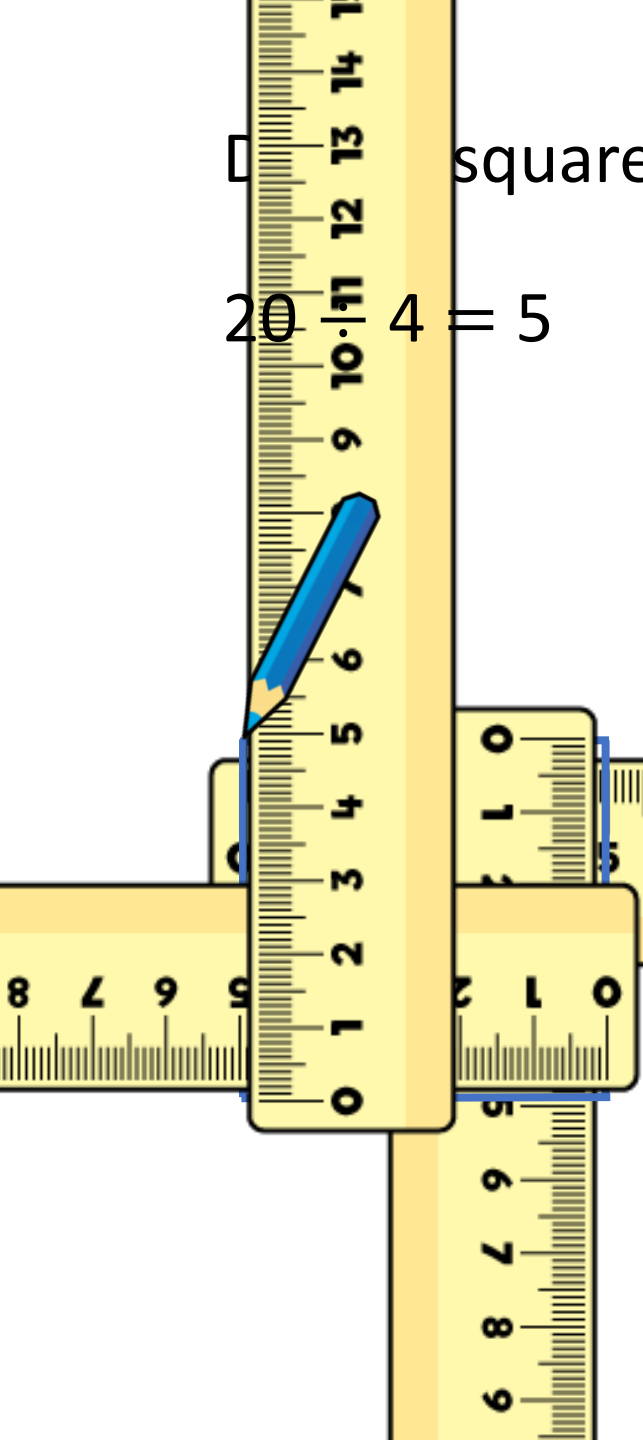
20 ÷ 4 = 5

A square has 4 sides, all the same length.

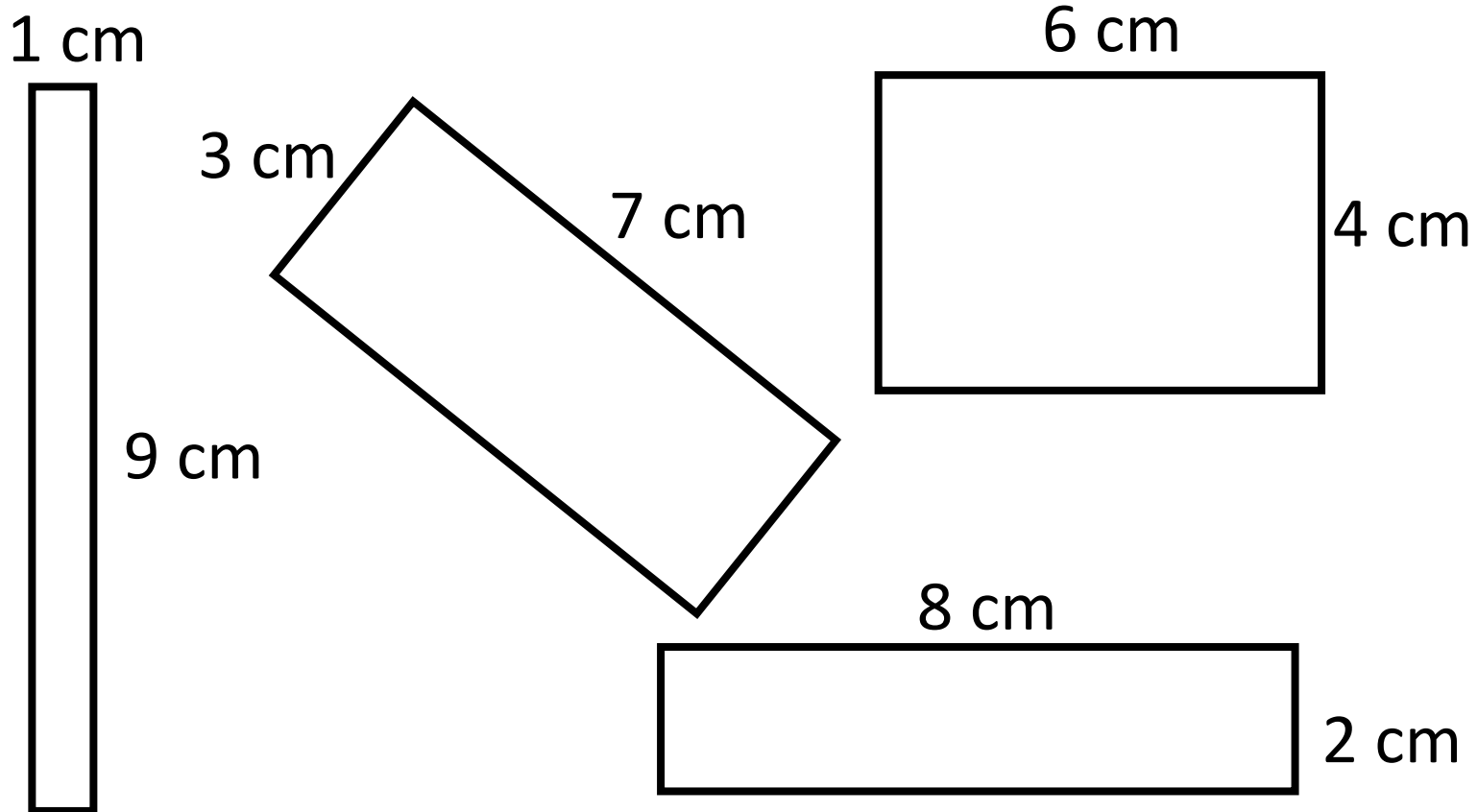


Have a think 

How many different rectangles can you draw with a perimeter of 20 cm?



How many different rectangles can you draw with a perimeter of 20 cm?



width + length = $\frac{1}{2}$ of the perimeter of a rectangle

YOUR TURN

Have a go at the rest of
the worksheet

